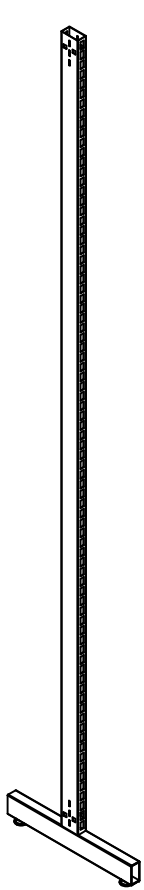
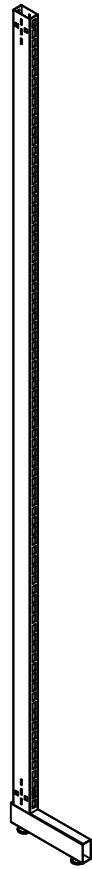


# ORX INSTALLATION INSTRUCTIONS

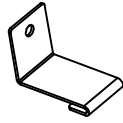


T - UPRIGHT  
ORXTU8416

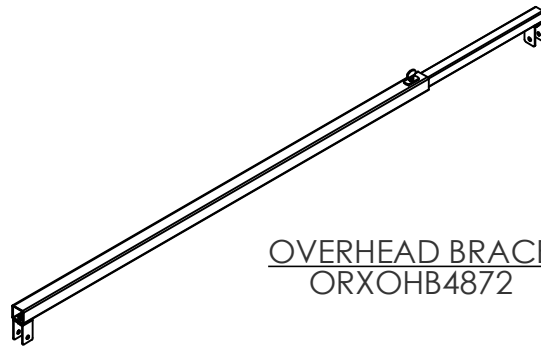


L - UPRIGHT  
ORXLU8408

T UPRIGHTS ARE L UPRIGHTS WITH A REMOVABLE LEG



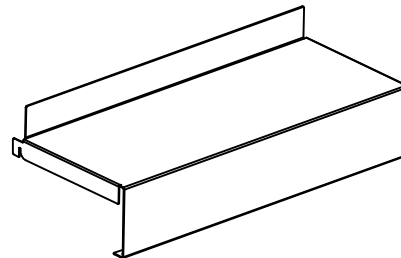
WALL MOUNT CLIPS



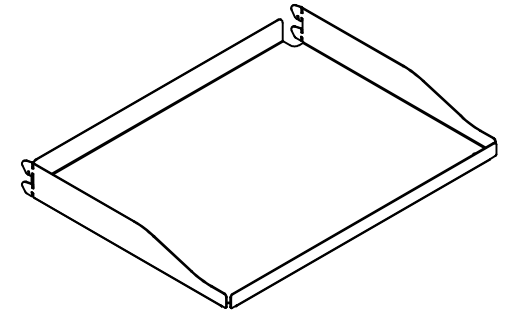
OVERHEAD BRACE  
ORXOHB4872



STRETCHER  
ORXSTR\*\*

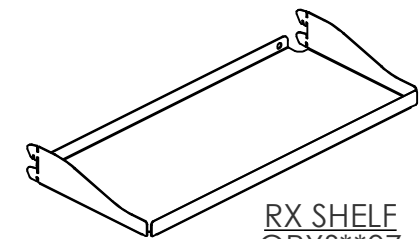


BASE SHELF  
ORXBS\*\*08



RX SHELF  
ORXS\*\*12

**DO NOT EXCEED 60 LBS  
UNIFORMLY DISTRIBUTED  
SHELF LOAD**



RX SHELF  
ORXS\*\*07

**DO NOT EXCEED 60 LBS  
UNIFORMLY DISTRIBUTED  
SHELF LOAD**

# ORX INSTALLATION INSTRUCTIONS

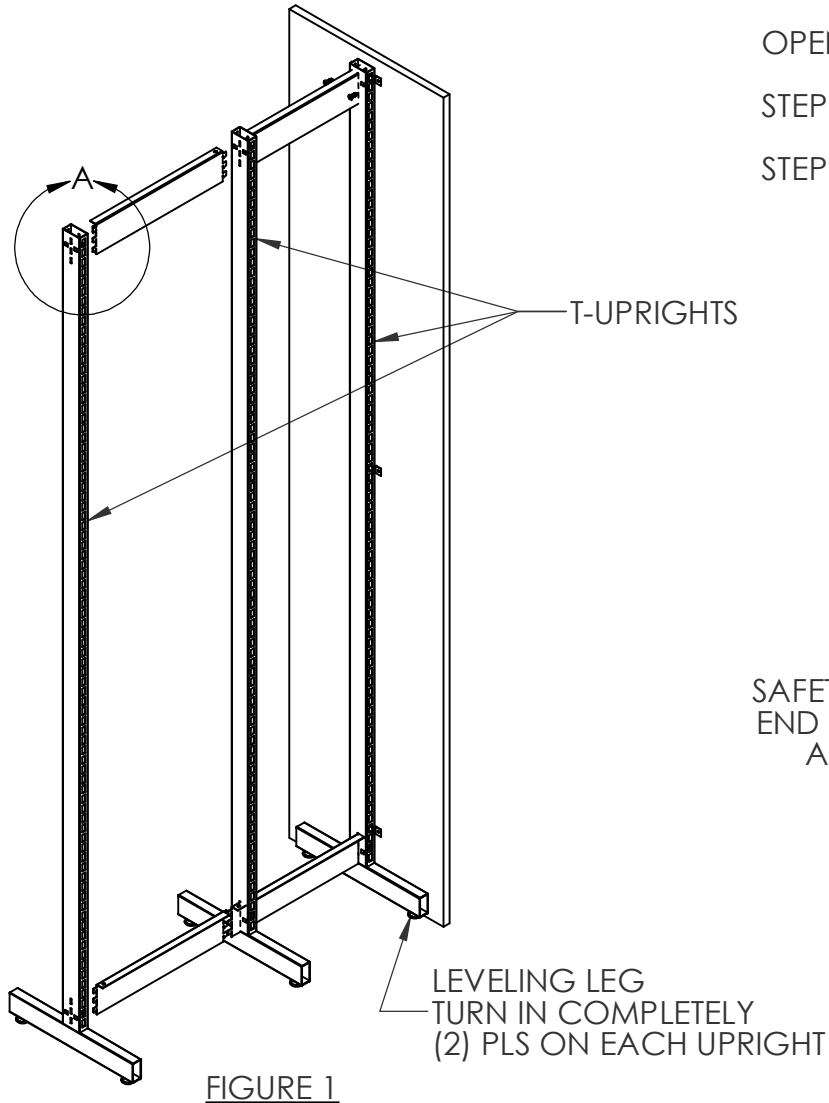
## OPEN RX STORAGE SYSTEM

STEP 1: Screw Leveling Legs all the way in on the T-Uprights

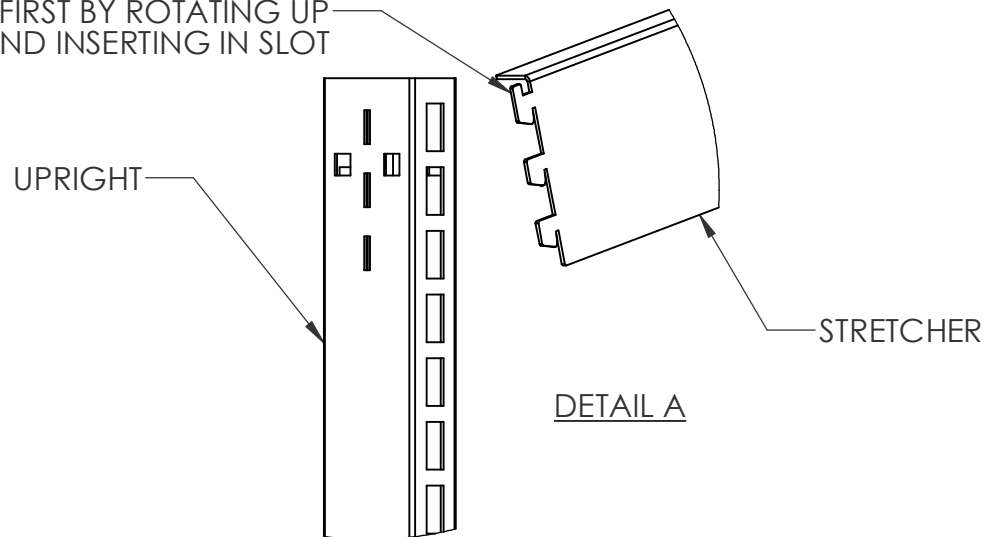
STEP 2: Install Stretchers into Uprights with top flanges facing opposite directions as shown in Figure 1.

NOTE: Must install end with the safety lobe first (See Detail A).  
A. Top Stretchers down with rubber/plastic mallet to secure in place.

B. Assemble whole run and then level Uprights by:  
1. Place level on face of Upright and turn Leveling Leg in or out,  
2. Place level across Legs of T-Upright and adjust Leveling Legs as required.



SAFETY LOBE ~ INSTALL THIS  
END FIRST BY ROTATING UP  
AND INSERTING IN SLOT



# ORX INSTALLATION INSTRUCTIONS

## OPEN RX STORAGE SYSTEM

- STEP 3: Install End Panel to Upright as shown in Figure 2.  
A. Center End Panel on End Upright.  
B. Install End Panel Clip through slot in Upright & secure in place as shown in "Detail A."

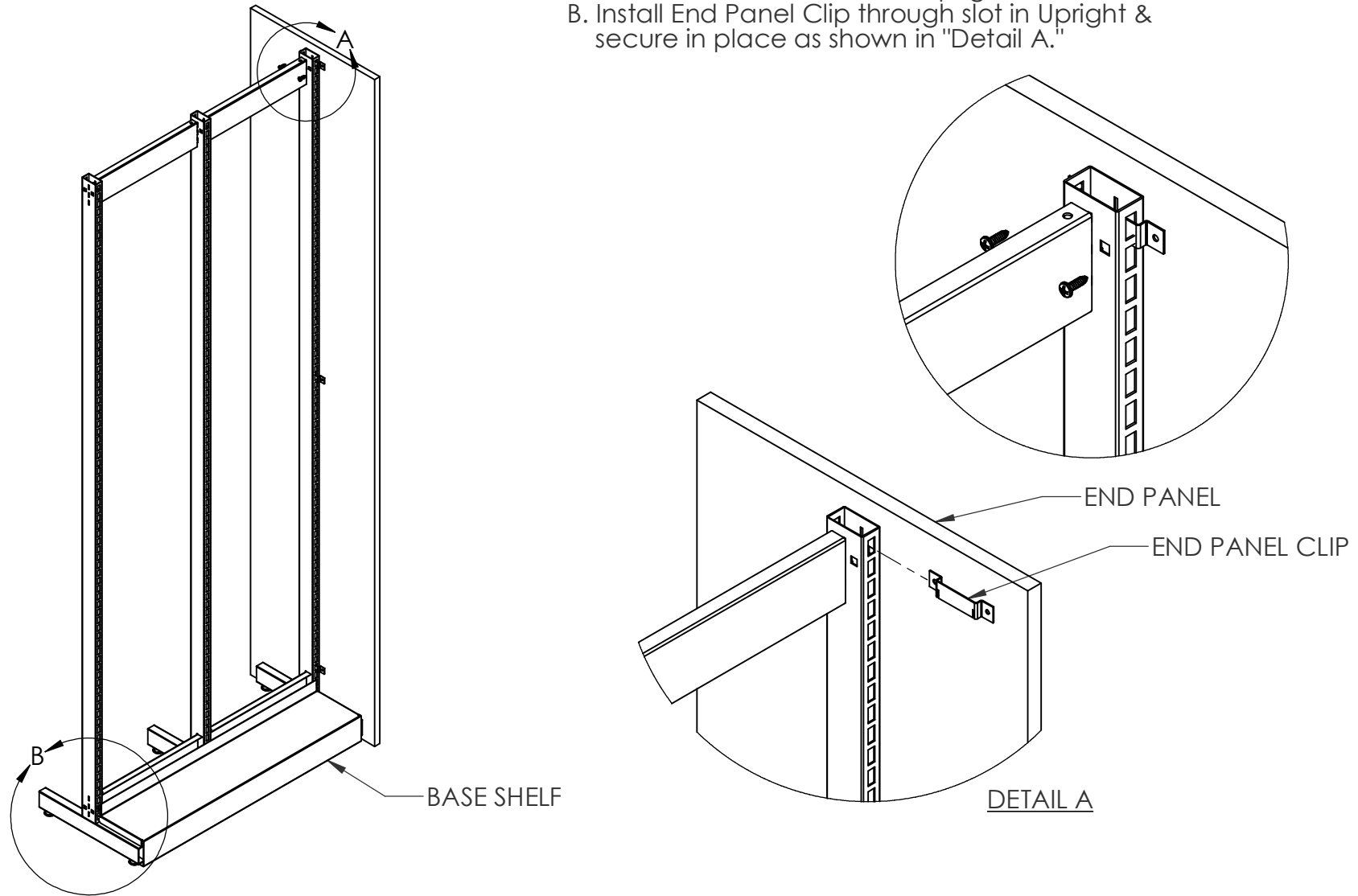


FIGURE 2

# ORX INSTALLATION INSTRUCTIONS

## OPEN RX STORAGE SYSTEM

STEP 4: Install Base Shelf to bottom of Uprights as shown in Figure 3 & Detail B  
STEP 5: Install Shelves at desired heights as shown in Figure 3 & Detail B.

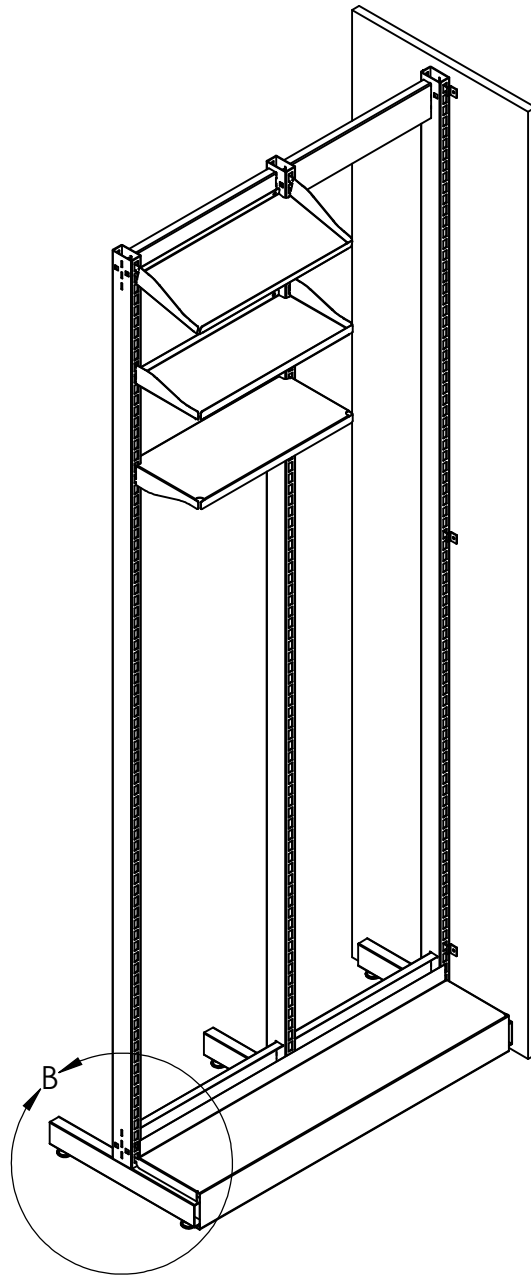
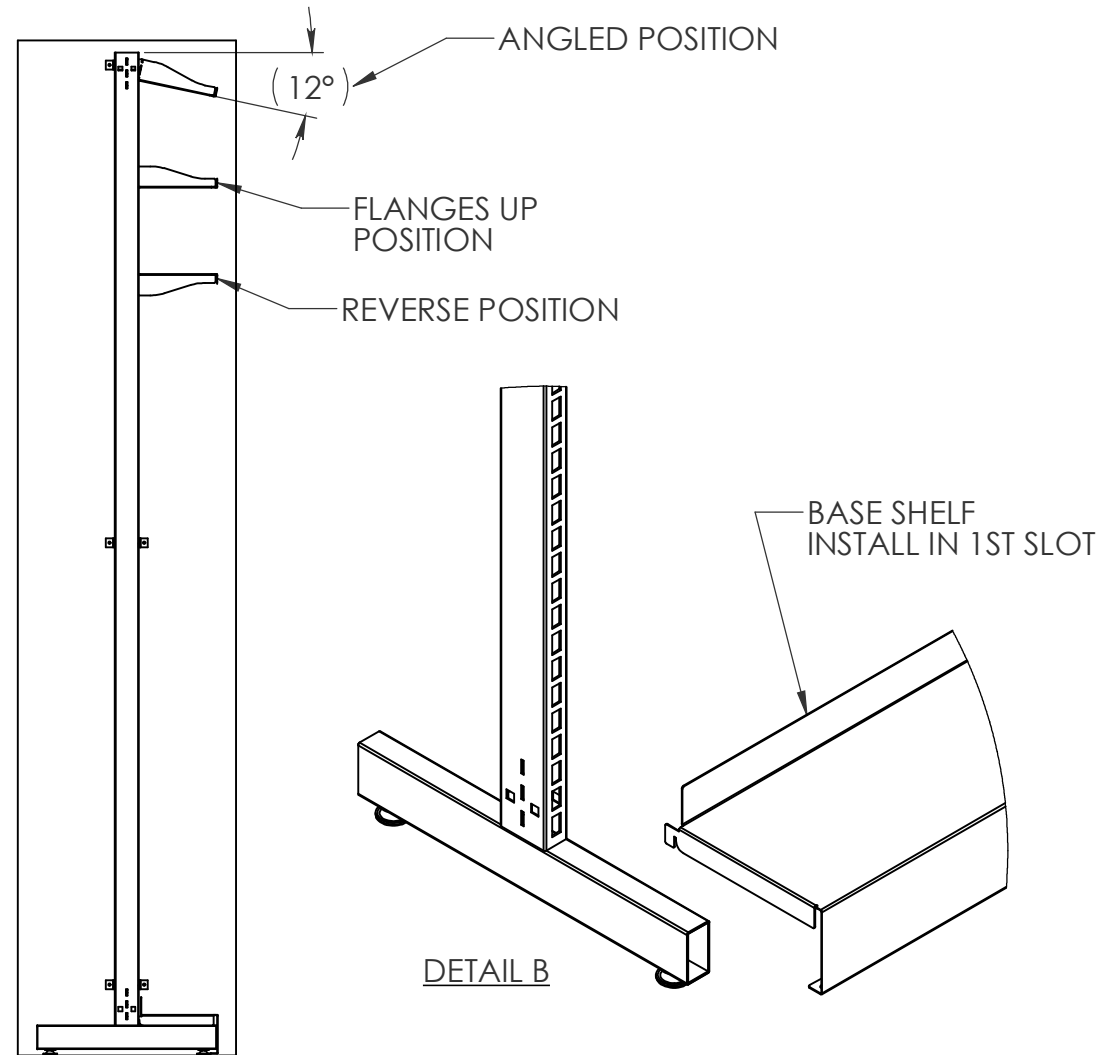


FIGURE 3



# INSTALLATION INSTRUCTIONS

## OPEN RX STORAGE SYSTEM

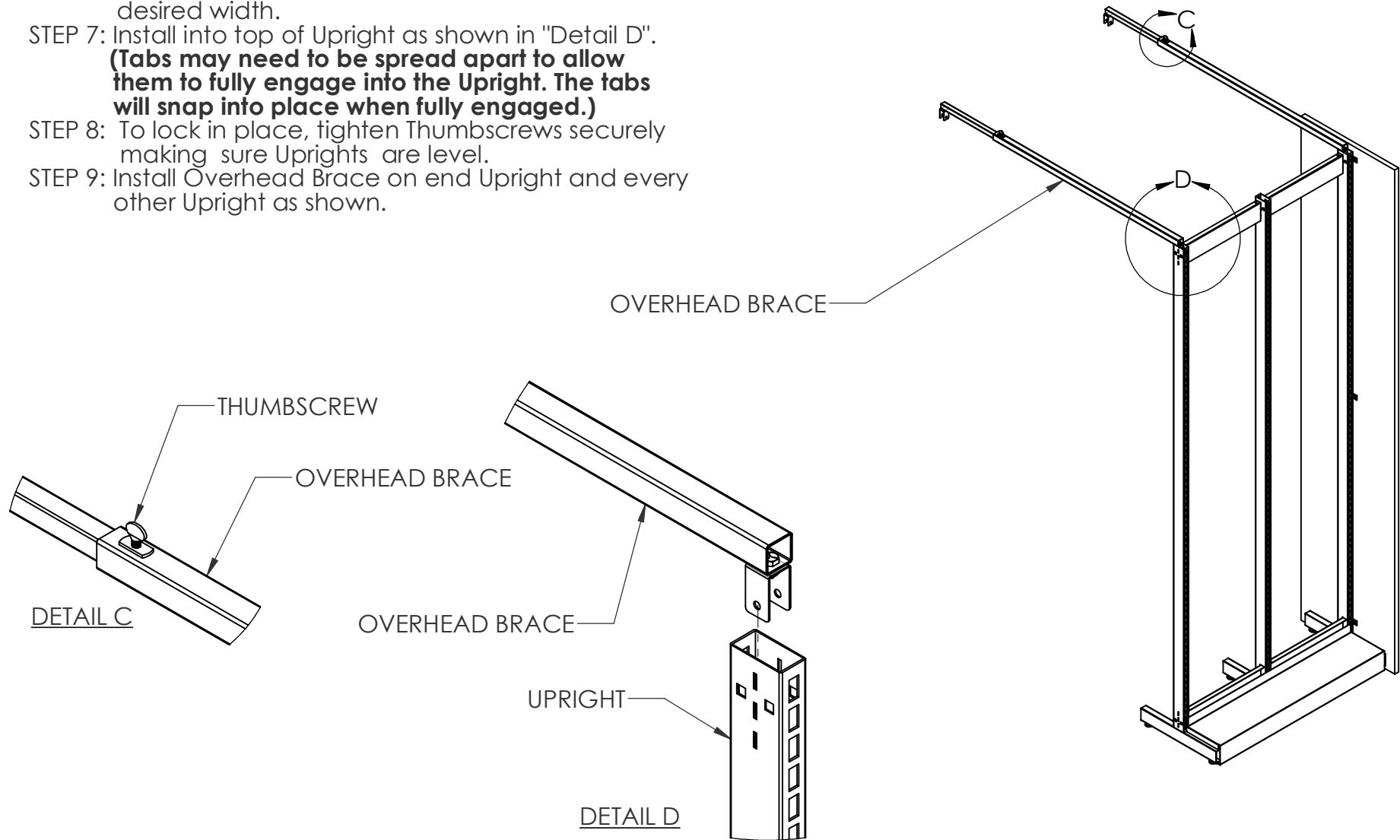
**NOTE; OVERHEAD BRACES MUST BE SECURELY INSTALLED TO STABILIZE THE SYSEM.**

STEP 6: Loosen thumbscrew and slide Brace apart to desired width.

STEP 7: Install into top of Upright as shown in "Detail D".  
**(Tabs may need to be spread apart to allow them to fully engage into the Upright. The tabs will snap into place when fully engaged.)**

STEP 8: To lock in place, tighten Thumbscrews securely making sure Uprights are level.

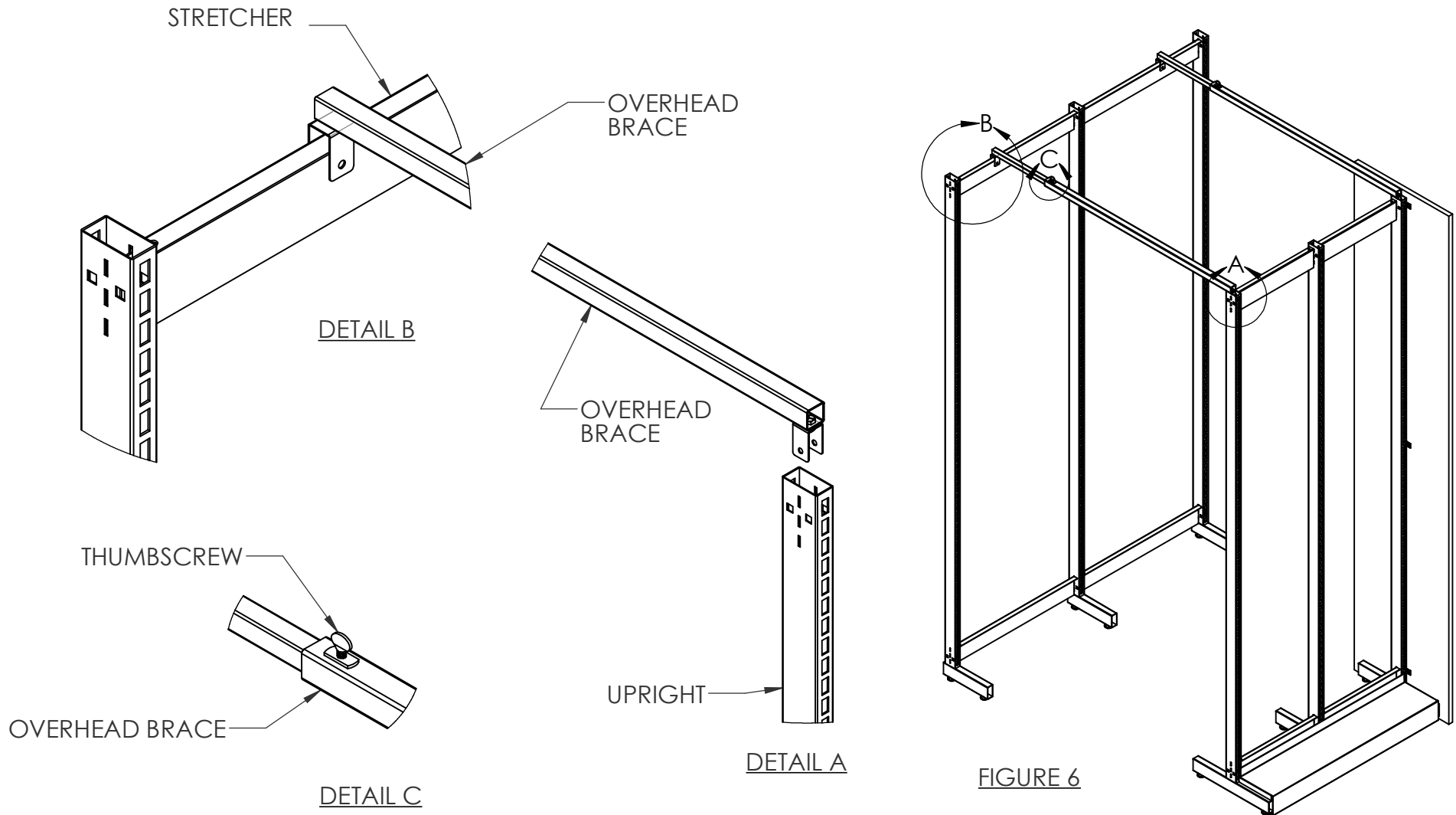
STEP 9: Install Overhead Brace on end Upright and every other Upright as shown.



# ORX INSTALLATION INSTRUCTIONS

## OPEN RX STORAGE SYSTEM (UNITS ALIGNED UPRIGHT TO STRETCHER)

- STEP 6:** Loosen thumbscrew and slide brace apart to desired width.  
**STEP 7:** Install into top of Upright and onto top of stretcher as shown in DETAILS A and B.  
**STEP 8:** Tighten thumbscrews securely, Making sure Uprights are level.  
**STEP 9:** Install overhead brace on end Upright and every other Upright as shown in Figure 6.



# ORX INSTALLATION INSTRUCTIONS

## OPEN STORAGE SYSTEM WALL MOUNT

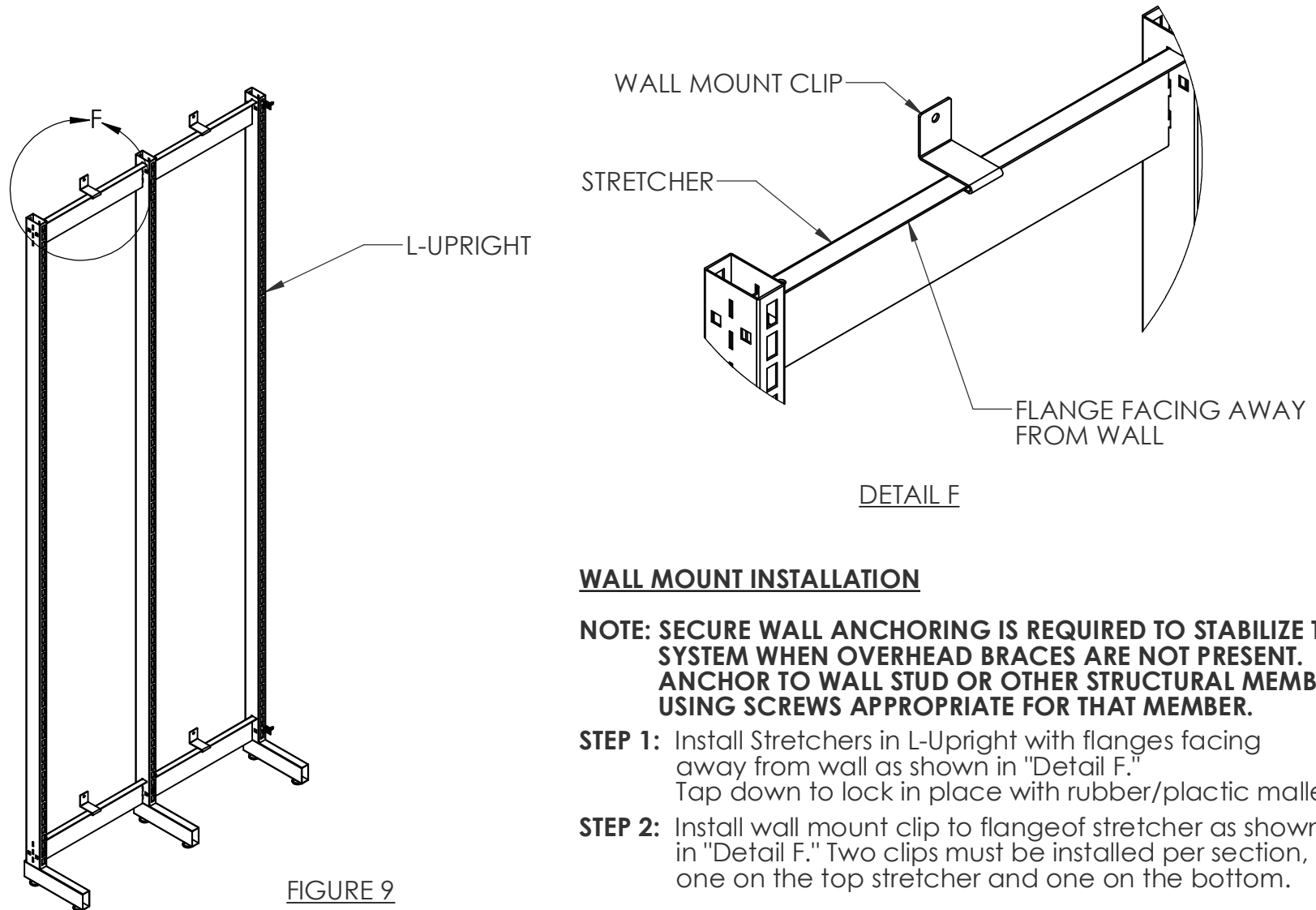


FIGURE 9

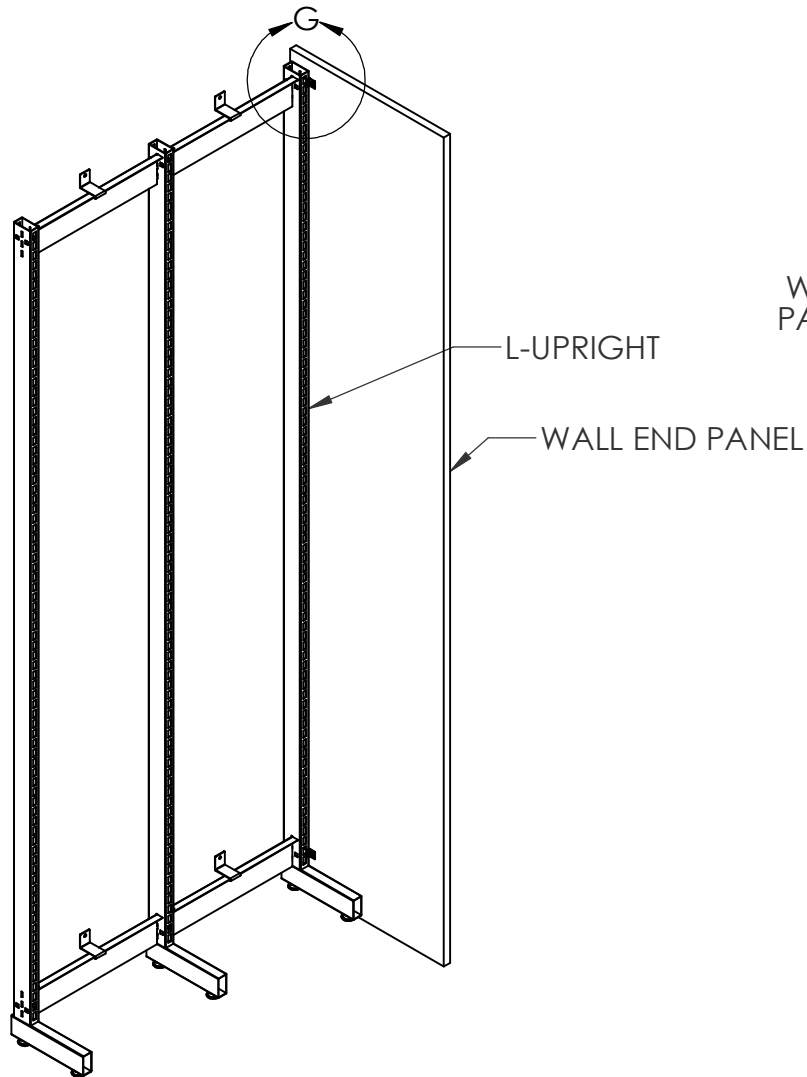
### WALL MOUNT INSTALLATION

**NOTE: SECURE WALL ANCHORING IS REQUIRED TO STABILIZE THE SYSTEM WHEN OVERHEAD BRACES ARE NOT PRESENT. ANCHOR TO WALL STUD OR OTHER STRUCTURAL MEMBER USING SCREWS APPROPRIATE FOR THAT MEMBER.**

- STEP 1:** Install Stretchers in L-Upright with flanges facing away from wall as shown in "Detail F." Tap down to lock in place with rubber/plastic mallet.
- STEP 2:** Install wall mount clip to flange of stretcher as shown in "Detail F." Two clips must be installed per section, one on the top stretcher and one on the bottom.
- STEP 3:** Secure to wall with appropriate screw.

# ORX INSTALLATION INSTRUCTIONS

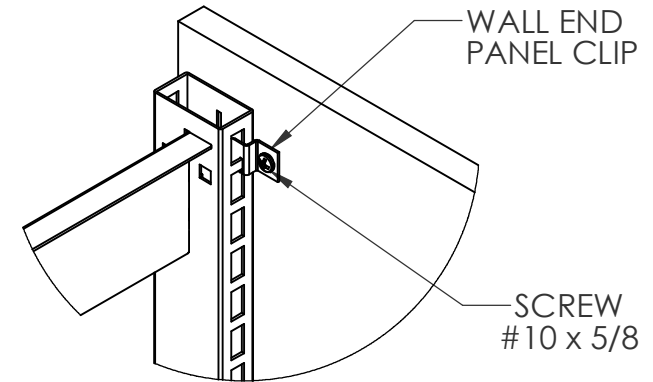
## OPEN STORAGE SYSTEM WALL MOUNT



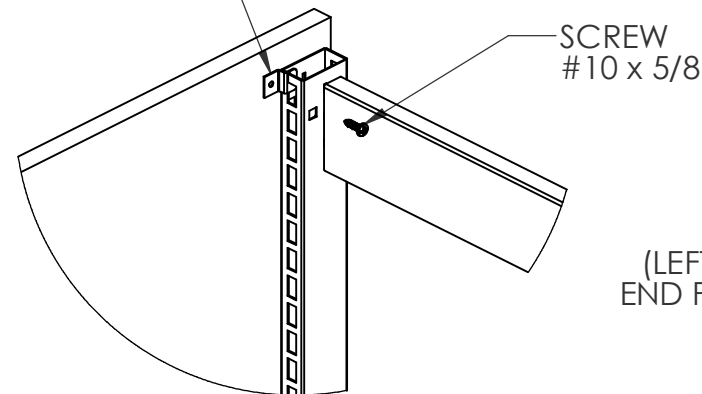
WALL END  
PANEL CLIP

L-UPRIGHT

WALL END PANEL



**DETAIL G**  
(RIGHT-HAND WALL  
END PANEL SHOWN)



**DETAIL H**  
(LEFT-HAND WALL  
END PANEL SHOWN)

STEP 4: Place Wall End panel against wall and L-Upright.

STEP 5: Install End Clip in bottom of Upright slot and secure with screws provided (see Detail G).

NOTE: For left-hand Wall End Panel installation, invert Wall End Panel Clip and slide UP to catch top of slot (see Detail H).